

# Grid 50

Assembly and operating instructions

**visplay**

play it smart

Visplay products are manufactured according to the latest technology and comply with valid rules and regulations.

Nevertheless, these products can cause injury or damage if:

- the product is improperly installed
- the product is improperly used
- the product is improperly altered or modified
- original accessories are not used
- the safety regulations are not observed.

## **⚠ WARNING**

**Each person involved in the planning, installation and/or use of our products must be carefully read and observe these instructions of use.**

The following are of course also valid:

- Relevant accident prevention regulations
- Generally recognized safety rules
- National regulations – please consult Visplay if there is a discrepancy with the Assembly manual

## **Safety instructions**

### **⚠ WARNING**

**When playing, children often incorrectly assess danger. You must therefore make sure that your store fittings are not used as toys.**

Please pay attention to the following points:

- Structural conditions, in particular the design and bearing capacity of walls, ceilings and floors. If bearing capacity for the specified tractive or pressure load cannot be achieved by suitable fastening or stabilising elements, please refrain from installation.
- All the structural components supplied for stabilising structures are to be used in an unrestricted manner and must not be removed.
- The products may only be loaded after all the installation steps have been completed.
- Merchandise supports should be loaded as evenly as possible.
- Avoid loading in fits and starts.
- The maximum weight loads is to be observed. This can be found in the instructions on assembly and use, as well as in our sales documentation.
- Furniture with castors is generally much more unstable than furniture with glides. Tall, heavy structures on castors should thus be avoided.
- The recommendations of your safety officer should also be observed.

## **General care for chrome, silk and pearl**

In clothing retail applications, frequent dragging of clothes hangers along the surface can cause slight abrasion to their hooks. This effect is most pronounced - more so than with front-on horizontal or inclined-pole displays - where garments are hung side-on such that hangers have to be moved more frequently. To prevent garments from becoming soiled, cleaning of the hanging rods is essential.

This abrasion can be considerably reduced by using a

coat hanger cover (scliss, 929-449.02).

No responsibility can be accepted for damage caused by soiling, as the above mentioned abrasion depends on the material of the coathangers in use.

With powder-coated surfaces subject to frequent use, use of special paints is recommended. We will be happy to advise you.

## **Use and care of merchandise supports with anodised aluminium surfaces**

Visplay merchandise supports with anodised aluminium surfaces are hard-wearing. However, the exchange of accessories might cause slight marks on the surface. Accessories with plastic inserts usually cause less wear or none at all.

To remove the marks, we recommend using cleaning agents ranging from pH 5–8 (do not use any detergents with acidic or alkaline reaction). Clean by washing the surfaces using a sponge and water containing a wetting agent. Then remove any loose or greasy dirt. Rubbing off the surfaces with detergent using pure cotton waste or porous cleaning tissue and applying the necessary pressure in rubbing direction will remove the marks.

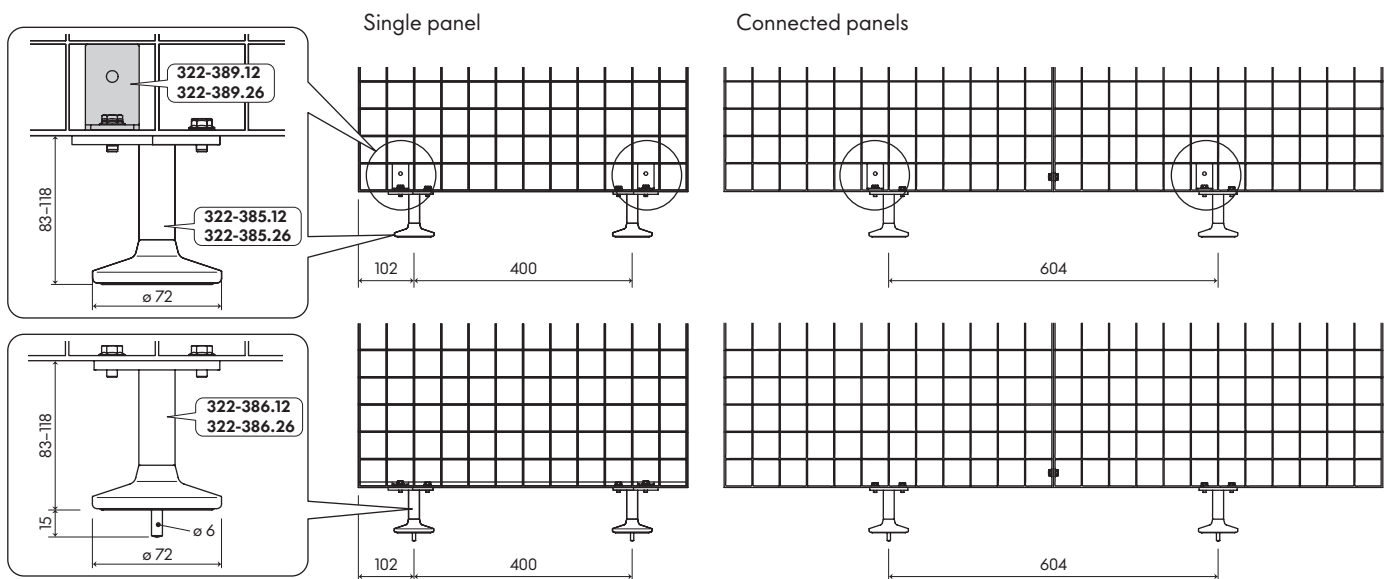
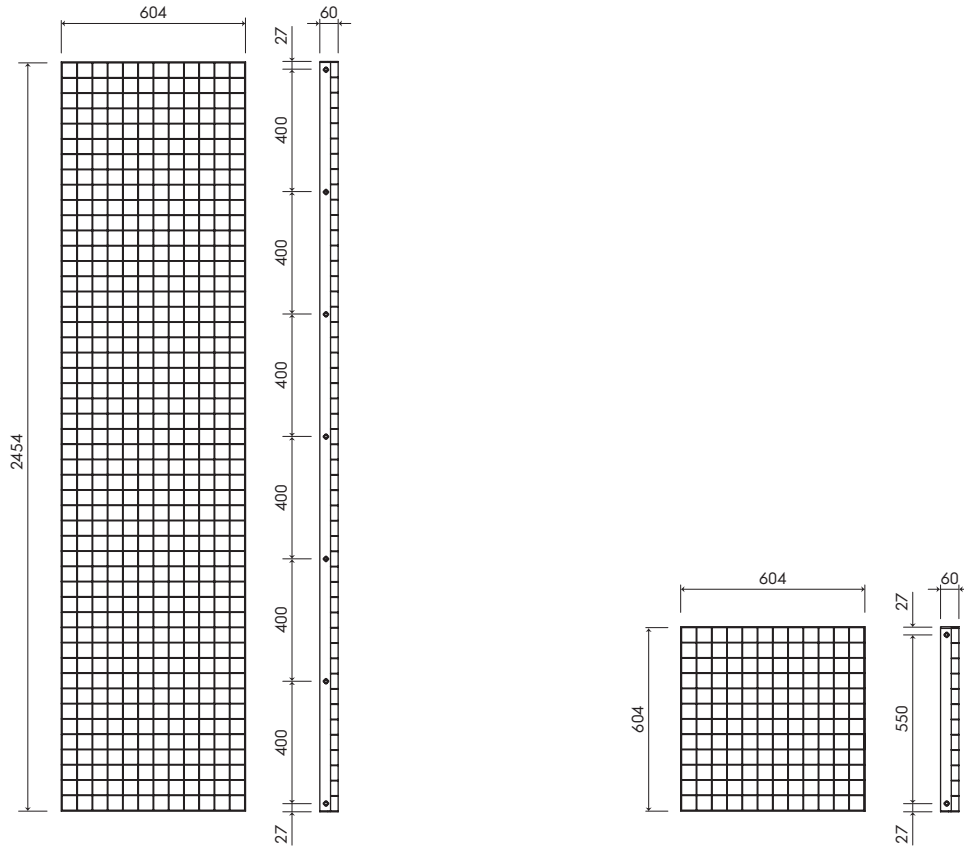
Aluminium profiles with widths exceeding 200 mm must be subjected to abrasive cleaning using detergents specifically developed for this purpose. The cleaning agents developed for abrasive cleaning contain very finely ground neutral polishing agents and have to be adapted to the oxide layer. Alternatively, cleaning can be carried out using an abrasive fibrous web (e.g. Scotch-Brite, type A, red, fine or very fine) in combination with a non-abrasive detergent.

Subsequently, residual cleaning agents should to be rinsed off using a sponge and clear water. Then rub off the part with a chamois.

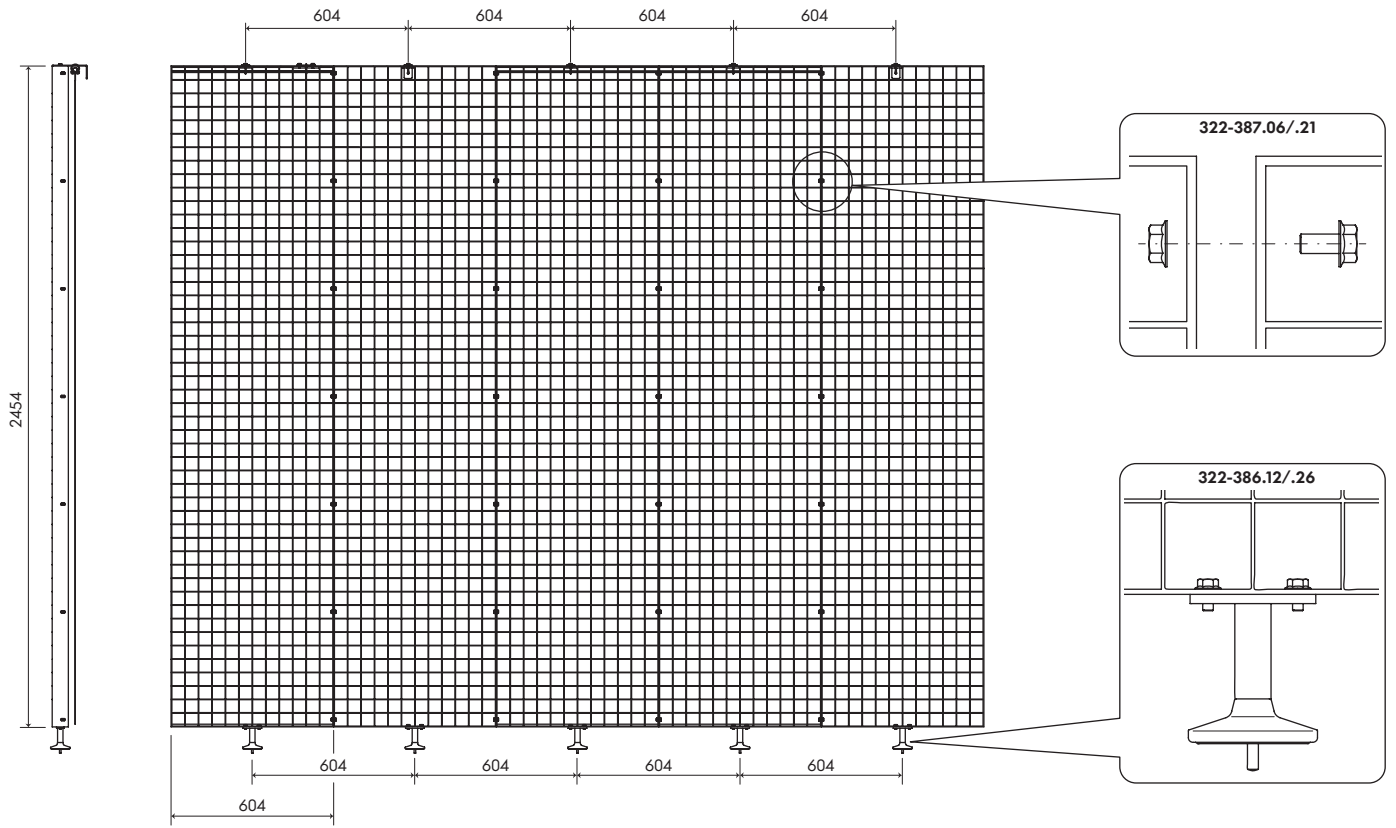
## Assembly dimensions / Layout

- ⚠ The fixation material and the wall must be capable of supporting a min. fraction weight of 180 kg.  
 Please observe the indications concerning weight loading and ensure that the substructure of the wall units/furniture and their fixtures can support the expected loads.  
 With free-standing furniture, ensure that there is sufficient stability even with the intended merchandise supports.

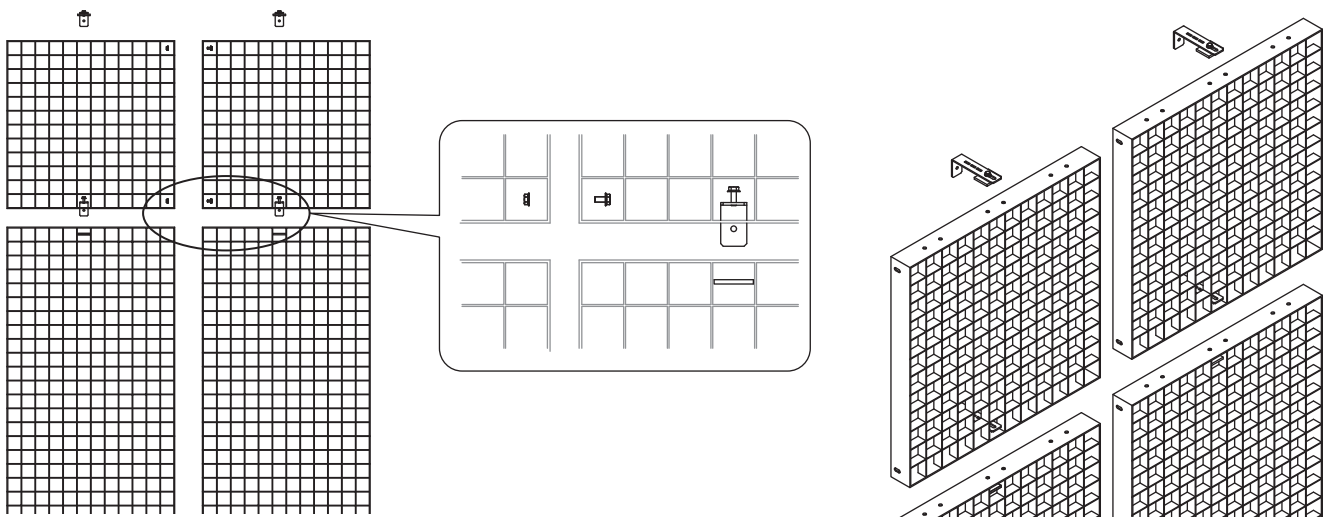
### Grid 50 panels for wall



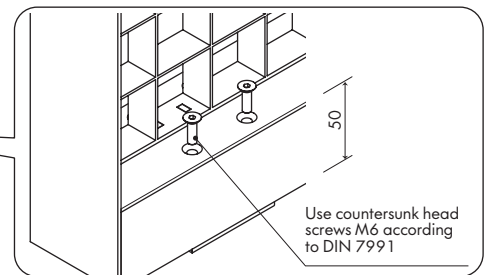
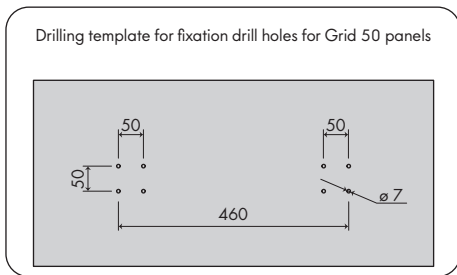
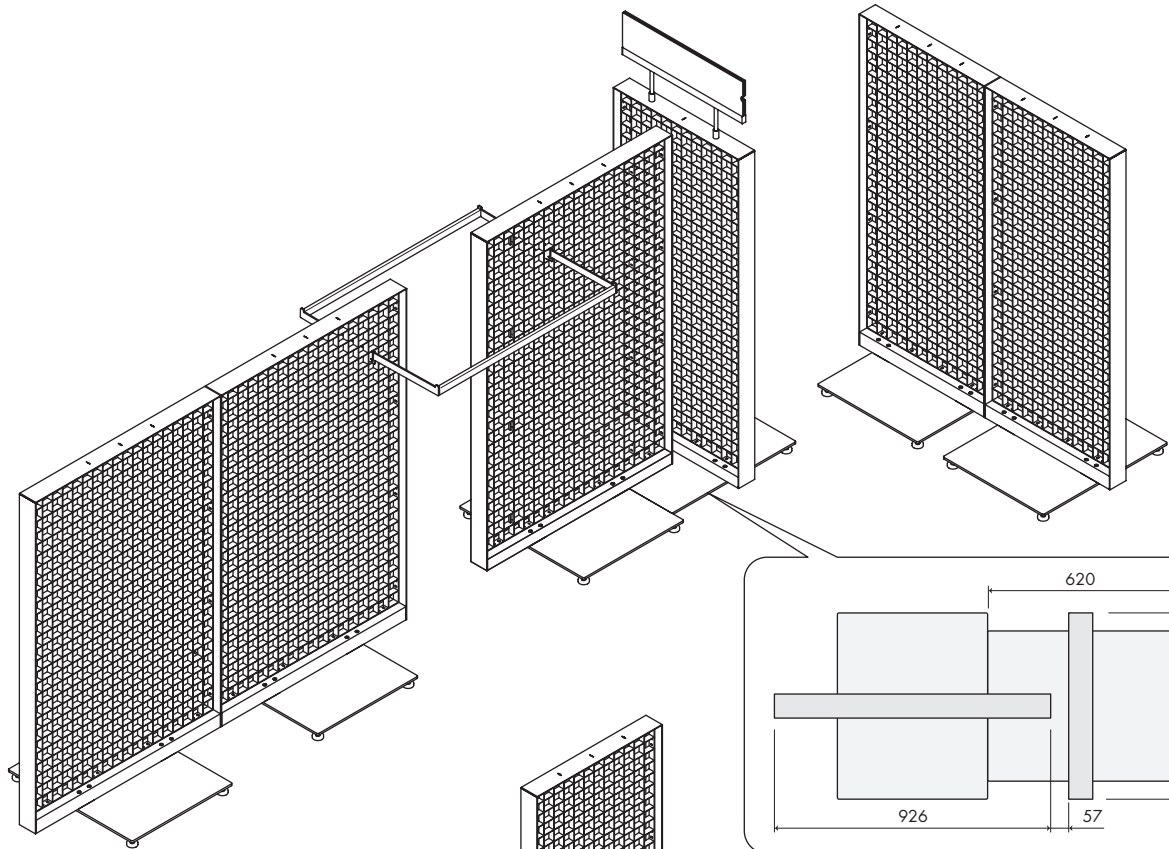
**EN** Assembly of several wall elements



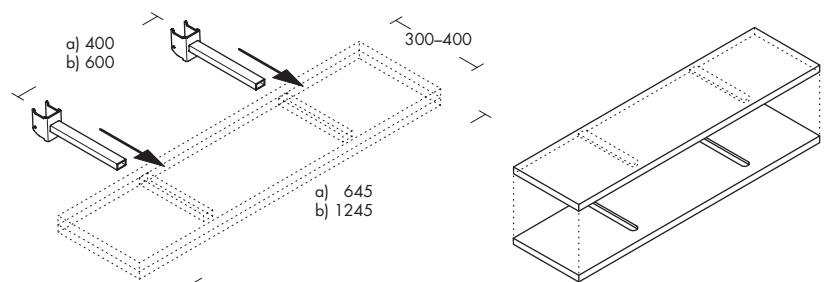
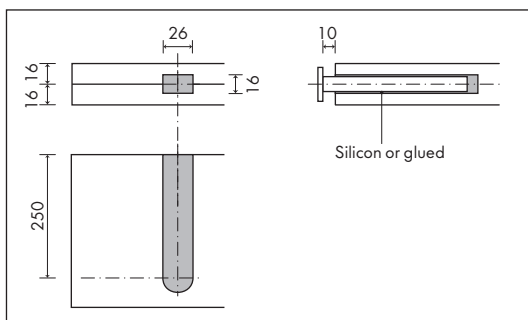
**Top section on Grid 50 panels**



## Grid 50 gondolas



## Shelf dimension for bracket

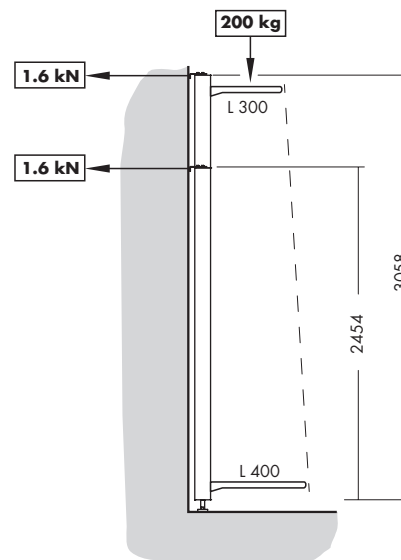
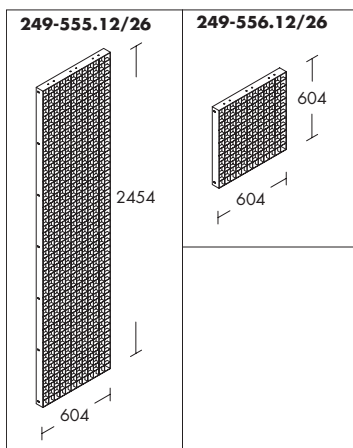


## Weight loading

ⓘ The indicated weight loads are always based on the total weights of the merchandise support and goods.  
 Please observe that max. weight loading decreases as the merchandise support increases in length.  
 Please observe that the inclination of the merchandise support changes with an increase in load. Different weights on the merchandise supports produce an uneven overall appearance of the goods display.  
 The max. weight loading of Grid 50 depends on the nature of the wall, on the number of fixation points as well as on the fixation material used. All fixation points are to be used with a maximum weight load.  
 The fixtures must be selected according to the manufacturer's recommendations and the type of on-site masonry.  
 Please also observe the weight loads indicated in our sales documentation.

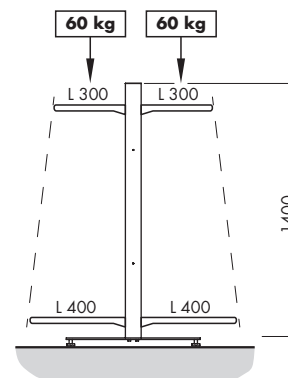
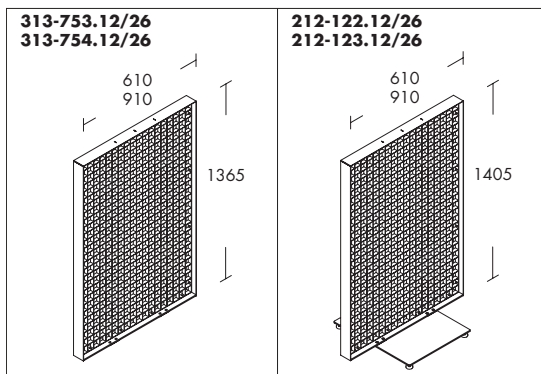
### Frame

The permissible weight load of all accessories: max. 200 kg.  
 The weight load must be reduced as the height of the accessories increases.



### Gondola

The permissible weight loading of all accessories: max. 120 kg (60 kg per side).  
 Max. overhang is 400 mm.  
 The weight load must be reduced as the height of the accessories increases.



### Max. load

|                                  |                   |
|----------------------------------|-------------------|
| Front arm 30 x 15 mm             | 20 kg             |
| Side hanging frame 30 x 15 mm    | 30 kg             |
| Metal shelf                      | 10 kg             |
| Bracket for wooden shelf         | per bracket 20 kg |
| Clamping bracket for glass shelf | per bracket 15 kg |
| Front arm                        | 10 kg             |
| Side hanging frame 20 x 10 mm    | 15 kg             |
| Mounting set for Box             | 40 kg             |